

NANOCAM+[®]

NCP-BDVRS

Full HD Discreet Barrel Dash Camera with
inbuilt GPS, WIFI & Super Capacitor



USER MANUAL

Your Safety. Our Priority



CONTENTS

1.0 CAUTION	3
2.0 BATTERY WARNING	3
3.0 MICRO SD CARD WARNING	4
3.1 Formatting The Inserted Micro SD Card	4
4.0 INTRODUCTION	5
5.0 PACKAGE CONTENTS	6
6.0 PRODUCT OVERVIEW	6
7.0 INSTALLATION INSTRUCTIONS	7
7.1 Dash Camera Installation	7
8.0 SOUND ALERTS	8
8.1 Real-Time Audio Road Safety Alerts*	8
8.1.1 Speed Camera Alert	9
8.1.2 Blackspot Alert	9
8.1.3 School Zone Alert	9
8.1.4 Railway Crossing Alert	9
9.0 QUICK KEY FUNCTIONS	10
9.1 LED Indicator	10

10.0	DOWNLOADING AND INSTALLING THE NCP-LINK APP.....	11
11.0	NCP-LINK APP OPERATION.....	13
11.1	App Video Playback.....	13
11.2	Downloading videos from the App.....	14
11.3	Sharing videos on Social Media.....	14
11.4	NCP-LINK App Settings.....	15
12.0	WARRANTY TERMS & CONDITIONS.....	17

1.0 CAUTION

- Ensure you are using your Dash Camera within your countries' road laws. Please make sure you are familiar with your local road legislation before use.
- Please set the time and date before you use this device to record.
- The notifications given by the Dash Camera are suggestions only, please drive according to the actual road conditions.
- The system is to be used only for non-commercial use, within the limits permitted by the relevant laws
- Avoid using the Dash Camera in the vicinity of any devices that emit radio interference (eg. Microwave Ovens).
- It is considered normal operation for the Dash Camera to get warm during use.

2.0 BATTERY WARNING

- Always charge the Dash Camera using the provided charger. Improper charging of the Dash Camera may result in failure of the internal battery.
- Never dismantle the Dash Camera or expose the internal battery.
- Do not dispose of the Dash Camera in a fire.
- Dispose of the Dash Camera observing local regulations being mindful of the internal battery.
- Do not attempt to replace or expose the internal battery.

3.0 MICRO SD CARD WARNING

This Dash Camera can only be used with Micro SD Cards, Class 10 or above with 32GB - 128 GB storage capacity. (Not included) Please format your Micro SD card before use.

NOTE:

- Formatting the Micro SD card will delete all information on the inserted Micro SD Card and prepare the card for use with the Dash Camera.*
* A Micro SD card is not included and will need to be purchased separately.

3.1 FORMATTING THE INSERTED MICRO SD CARD

Please download the NCP-LINK app and connect your Dash Camera with the downloaded app by following the steps as mentioned on page 11.

Please enter the Settings Section and press "Format SD card."

The Dash Camera will format the Micro SD card and will provide an audio notification that the Micro SD card has been formatted.

Alternatively, once the Micro SD card is inserted into the Dash Camera and connected to power, please press the blue power button on the Dash Camera 3 times rapidly. This will format the Micro SD card.

NOTES ON INSTALLATION

1. It is advised that the Dash Camera is installed near the rear view mirror, at the top centre of the windshield for optimal operation.
2. Make sure that the lens is within the range of the windscreen wiper to ensure a clear view when it rains.
3. Do not touch the lens with your fingers. Finger prints left on the lens will result in unclear videos or photos. If photos or videos are blurred, please clean the lens gently with a microfibre cloth.
4. Only use the included charging cable to power the Dash Camera.

4.0 INTRODUCTION

Thank you for purchasing a Nanocam Plus Dash Camera. We have designed our product to be a valued safety feature that enhances your driving experience. Our products, like most after-market safety enhanced devices, are designed to assist and aid the driver, not to replace the skill of the person operating the vehicle.

Please read through these instructions before attempting to install this product.

For the latest manual and product updates, please visit our website at www.nanocamplus.com.au or www.nanocamplus.co.nz

5.0 PACKAGE CONTENTS



NCP-BDVRS
Dash Camera x1



Electrostatic
Film x2



3M Adhesive
Mount x1



12/24V Power
Adaptor x1



Spare 3M
Adhesive x1

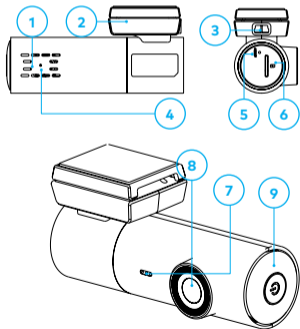


User Guide x1

6.0 PRODUCT OVERVIEW

DASH CAMERA

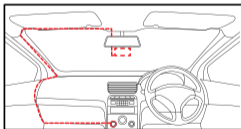
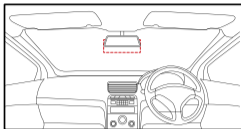
1. Microphone
2. 3M adhesive mount
3. Mini USB connector (for power)
4. Recording indicator LED
5. Reset button
6. Micro SD card slot
7. Speaker
8. Camera lens
9. Power button/WIFI ON & OFF/Lock file



7.0 INSTALLATION INSTRUCTIONS

7.1 DASH CAMERA INSTALLATION

1. **OPTIONAL:** Select the electrostatic film from the box and install it on the front windshield in the recommended position, as per the illustration. Please wipe the glass before installation and push out the bubbles between the static film and the glass before installation.
2. Remove the protective film off the Dash Camera mount and position the Dash Camera in the middle of the (optional) electrostatic film. Press down on the base of the bracket by hand for 30 seconds, to ensure that the adhesive mount is attached to the electrostatic film. Adjust the Dash Camera by rotating the barrel, until it is capturing the entire road.
3. Run the Dash Camera cable along the top of the front windshield through the A pillar and around and under the storage compartment of the passenger seat to the car's 12/24V adaptor port. Connect the 12/24V adaptor to the car power.



NOTE:

- The included electrostatic film is intended to make it easy to remove the Dash Camera from the windshield.

8.0 SOUND ALERTS

The Dash Camera will provide you with sound alerts to keep you updated with its status.

Audio notifications will come through the in-built speaker of the Dash Camera as per below:

- Recording Started/Stopped
- Turning On/Off Wi-Fi
- Emergency Recording Started/Stopped
- SD Card is being Formatted
- Please insert SD card

8.1 REAL-TIME AUDIO ROAD SAFETY ALERTS*

Your Dash Camera comes with the added feature of providing real time road safety alerts. An audio warning will alert you of your actual live speed, speed limit (if applicable) and distance to the alert (eg. Speed Camera). These alerts can be individually managed or disabled from the settings menu on the NCP-LINK App.

*** Here Maps does not support School Zone & Accident Blackspot Alerts for New Zealand.**

8.1.1 SPEED CAMERA ALERT

Fixed speed camera alerts will keep you aware of the speed limit, as well as your current traveling speed, and the distance to the nearest speed camera.

8.1.2 BLACKSPOT ALERT

Blackspot alerts aim to notify you before you enter a high accident zone.

8.1.3 SCHOOL ZONE ALERT

The School Zone alerts will appear 24/7. They cannot be set up to appear only during specific School Zone times (i.e during the afternoon only).

8.1.4 RAILWAY CROSSING ALERT

Railway crossing alerts will sound a warning before you approach a railway crossing.

NOTE:

- Sound alerts can be disabled or sound can be lowered through the NCP-LINK App Volume Settings. Please refer to the App section.

9.0 QUICK KEY FUNCTIONS

By pressing the power button multiple times you can access several quick key functions, as set out below:

OPERATION	FUNCTION	OPERATION	FUNCTION
Press and Hold for 2 seconds	Power ON/OFF Device	Quick Press x3	Format the Micro SD card*
Press Once	ON/OFF WiFi	Quick Press x5	Reset To Default settings^
Quick Press x2	Lock File		

* Formatting the Micro SD card will delete all information on the inserted Micro SD card and prepare the card to be used with the Dash Camera.

^ Restoring to default settings will also change the WIFI password to default **12345678**.
In case you forget your WIFI's password, please reset to default settings.

9.1 LED INDICATOR

The colour of the Dash Camera's LED Light helps to indicate the following functions:

1. **Constant red:** Not recording
2. **Constant green:** Recording in normal mode
3. **Green flashing:** Recording an emergency event
4. **Green flashing:** Updating firmware.
5. **Constant red:** Video playback in App

10.0 DOWNLOADING AND INSTALLING THE NCP-LINK APP

This Dash Camera needs to be used in combination with NCP-LINK App to function fully.

All major settings on this Dash Camera are edited through the NCP-LINK App.

The system requirements for your smart phone are noted below.

iPhone: iPhone 5 or later using iOS 8.0 and above.

Samsung Galaxy: S3 and later using Android 4.2.2 and above.

For you to correctly connect your smart device to your Dash Camera you will need to have the NCP-LINK App from the Apple App Store or Google Play Store installed on your smartphone. You will also need to connect your smart phone to the Dash Camera's WiFi signal using your smartphone's WiFi settings.

For Android devices: Please search NCP-LINK in the Google Play Store for installation. Alternatively you can scan the QR code found in the system settings in your Dash Camera. You can also scan the QR code on the following page.

For iOS devices: Please search NCP-LINK in the IOS App Store for installation. Alternatively you can scan the QR code found in the system settings in your Dash Camera. You can also scan the QR code on the following page.

For a step by step guide on connecting to your Dash Camera to your smartphone please follow the steps below.

1. On your smart device download the NCP-LINK App from the Google Play store if you are using an Android device, or the iOS App store if you are using an iPhone. You can also scan the QR code on the following page.
2. Power up the Dash Camera and wait 2 minutes for the WiFi connection to start.

3. Once the App is downloaded and installed on your smartphone and the Dash Camera is powered up, open your smartphone's WiFi settings and connect to the wireless connection named NCP-BDVRs.
4. When prompted enter the password 12345678
WiFi Name: NCP-BDVRs_XXXX
[XXXX is unique number to each Dash Camera]
Password: 12345678
5. Once the connection has been made, open the NCP-LINK App. You will now be able to access the live recording screen, the stored videos, and your Dash Camera settings.



NCP-LINK App

Scan the QR code
to download the
NCP-LINK App.

NOTE:

1. To ensure that the DVR pairs with your smartphone properly, please turn on the DVR and keep the smartphone in close proximity to the DVR for successful pairing via Wi-Fi.
2. The DVR will need to be continuously powered on to maintain the connection with your smartphone.

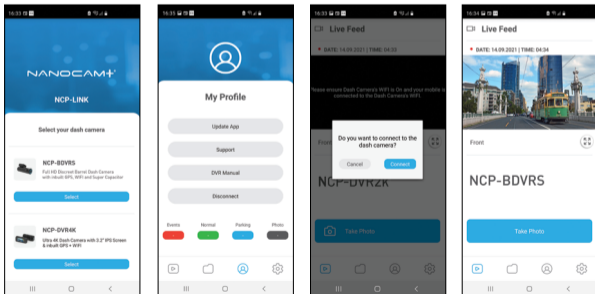
11.0 NCP-LINK APP OPERATION

To use the NCP-LINK App, your smart device will need to be connected to the Dash Camera Wi-Fi connection. For instructions on connecting your Dash Camera to your smartphone's Wi-Fi, please follow the steps on the previous page.

11.1 APP VIDEO PLAYBACK

For Video Playback via the App, please follow the instructions below.

1. Open the NCP-LINK APP.
2. Press the Album Button.
3. Click on the Video Folder and select the video you want to view.



11.2 DOWNLOADING VIDEOS FROM THE APP

To download your Dash Camera videos, please follow the instructions below.

Open the NCP-LINK App.

1. Press the Album Button.
2. Select the video/videos and press the download button.
3. The download will start and will save to your smartphone which can also be accessed through the NCP-LINK App in the Folder name Local.

11.3 SHARING VIDEOS ON SOCIAL MEDIA

To share videos on social media, please follow the instructions below.

1. Open the NCP-LINK App.
2. Press the Album Button.
3. Open the Local folder on the NCP-LINK App, all downloaded files can be accessed via the local folder.
4. Select the files you want to share, and then press the share button below.
5. Select the social media application you wish to share on.

11.4 NCP-LINK APP SETTINGS

MENU	SETTING	DESCRIPTION
Microphone	ON, OFF	Turns microphone ON/OFF
Speed Alerts	ON, OFF	Turns speed camera alerts ON/OFF
Loop Recording	1 & 3 Minutes	Loop recording allows you to set the duration that the camera will record before creating a new clip
Volume	Off, Low, Mid, High	Controls the sound level of the inbuilt speaker
G-Sensor	Off, High, Mid, Low	The G-Sensor monitors your vehicle for impacts. The Dash Camera will automatically lock the recording in the event of a collision. You can turn off or adjust the sensitivity of the built in G- Sensor.
Parkmode*	ON, OFF	Activates Time lapse mode when the car is parked and the engine is turned OFF. *Requires 3 wire hardwire kit Default: Off
Adjust Time	Day, Month, Year	Adjusts the time on the timestamp.

NCP-LINK APP SETTINGS CONT'

MENU	SETTING	DESCRIPTION
Format SD Card	Formats the Micro SD card.	Deletes all recorded data off the Micro SD Card.
WIFI Settings	N/A	Change the Dash Camera's WIFI name and password from default.
Factory Settings	N/A	Restore factory settings.
Help	N/A	FAQ
About DVR	N/A	Firmware version

12.0 WARRANTY TERMS & CONDITIONS

Our goods come with guarantees that cannot be excluded under the Australian Consumer Law. You are entitled to a replacement or refund for a major failure and for compensation for any other reasonably foreseeable loss or damage. You are also entitled to have the goods repaired or replaced if the goods fail to be of acceptable quality and the failure does not amount to a major failure.

This warranty is provided in addition to your rights under the Australian Consumer Law. Directed Electronics Australia Pty Ltd (Directed Electronics) warrants that this product is free from defects in material and workmanship for a period of 12 months from the date of purchase or for the period stated on the packaging. This warranty is only valid where you have used the product in accordance with any recommendations or instructions provided by Directed Electronics.

This warranty excludes defects resulting from alterations of the product, accident, misuse, abuse or neglect. In order to claim the warranty, you must return the product to the retailer from which it was purchased or if that retailer is part of a national network, a store within that chain, along with satisfactory proof of purchase. The retailer will then return the goods to Directed Electronics.

Directed Electronics will repair, replace or refurbish the product at its discretion. The retailer will contact you when the product is ready for collection. All costs involved in claiming this warranty, including the cost of the retailer sending the product to Directed Electronics, will be borne by you.

Email: info@nanocamplus.com.au

Ph: +61 03 8331 4800

INDEMNITY

You agree to defend, indemnify and hold harmless Nanocam Plus and its subsidiaries and affiliates from and against any and all claims, proceedings, injuries, liabilities, losses, costs and expenses (including reasonable legal fees), including but not limited to, claims alleging negligence, invasion of privacy, copyright infringement and/or trademark infringement against Nanocam Plus and its subsidiaries and affiliates, relating to or arising out of your breach of any provision of these terms, your misuse of Nanocam Plus products or its services, or your unauthorised modification or alteration of products or software.

WARRANTY AND WARRANTY DISCLAIMER

Nanocam Plus has a limited warranty on whereby Nanocam Plus warrants to you and only to you that this Nanocam Plus product will be free from defects in materials and workmanship for one (1) year from the date of your purchase (unless a longer warranty period is required by law). The specifics of this Nanocam Plus limited warranty are covered in this manual. To the extent possible under governing law, other than the above product warranty for the Nanocam Plus product, you understand and agree that the Nanocam Plus products and services are provided on an "as is" and "as available" basis. Nanocam Plus makes no warranty that the Nanocam Plus products and services will meet your requirements or that use of the Nanocam Plus products and services will be uninterrupted, timely, secure or error-free nor does Nanocam Plus make any warranty as to the accuracy or reliability of any information obtained through Nanocam Plus (including third party content), that any defects in Nanocam Plus products and services will be corrected or that Nanocam Plus products or services will be compatible with any other specific hardware or service. Further, Nanocam Plus does not warrant that Nanocam Plus products or services or Nanocam Plus servers will provide you with data and content are free of viruses or other harmful

components. Nanocam Plus also assumes no responsibility for and shall not be liable for any damages caused by viruses that may infect your Nanocam Plus product or software. In the event of any loss, damage or injury, you will not look to Nanocam Plus to compensate you or anyone else. You release and waive for yourself and your insurer all subrogation and other rights to recover against Nanocam Plus arising as a result of the payment of any claim for loss, damage or injury. Nanocam Plus equipment and services do not cause and cannot eliminate occurrences of certain events and Nanocam Plus makes no guarantee or warranty, including any implied warranty of merchantability or fitness for a particular purpose or that Nanocam Plus equipment and services provided will detect or avert such incidents or their consequences. Nanocam Plus does not undertake any risk that you or property, or the person or property of others, may be subject to injury or loss if such an event occurs. The allocation of such risks remains with you, not Nanocam Plus. Other than the above product warranty for Nanocam Plus products, its suppliers disclaim all warranties of any kind, whether express, implied, or statutory, regarding Nanocam Plus products and services, including any implied warranty of title, merchantability, fitness for a particular purpose, or non-infringement of third party rights. Because some jurisdictions do not permit the exclusion of implied warranties, the last sentence of this section may not apply to you. Nanocam Plus hereby further expressly disclaims all liability for claims for service failures that are due to normal product wear, product misuse, abuse, product modification, improper product selection or you noncompliance with all applicable federal, state or local laws.

This warranty and warranty disclaimer give you specific legal rights, and you may have other rights that vary by state, province or country. Other than as permitted by law, Nanocam Plus does not exclude, limit or suspend other rights you have, including those that may arise from the non-conformity of a sales contract. For a full understanding of your rights, you should consult the laws of your state, province, or country. For our Australian customers: please

note that this warranty is in addition to any statutory rights in Australia in relation to your goods which, pursuant to the Australian Consumer Law, cannot be excluded.

LIMITATIONS OF NANOCAM PLUS LIABILITY

Under no circumstances will Nanocam Plus be liable in any way for any content, including, but not limited to, the loss of content, any errors or omissions in any content, or any loss or damage of any kind incurred in connection with use of or exposure to any content posted, emailed, accessed, transmitted, or otherwise made available via Nanocam Plus. Nanocam Plus liability for damages, especially for breach of duty or obligation, delay in performance, non-performance, or malperformance shall be precluded, except when these are due to negligent breaches of any significant contractual duty or obligation on the part of Nanocam Plus. Any liability for negligence is limited to direct losses usually and typically foreseeable in such case. Should the claim for damages be based on wilful or grossly negligent breach of contractual duty or obligation on the part of Nanocam Plus, the preclusion and limitation of liability mentioned in the preceding sentences will not apply. The preceding preclusion and limitation of liability will also not apply to claims for damages arising out of loss of life, bodily injury or health impacts for which Pixbee may be liable, or for non-contractual liability.

Some states and countries do not allow the exclusion or limitation of incidental or consequential damages, so the above limitation or exclusion may not apply to you. Additionally, this provision is not intended to limit Nanocam Plus' liability in the event of Nanocam Plus' wilful or intentional misconduct.

Your Safety. Our Priority



All Images, Information and Content are Copyright © 2023
Directed Electronics Australia Pty Ltd. All Rights Reserved.

DIRECTED
AUSTRALIA & NZ

www.directed.com.au
www.directed.co.nz